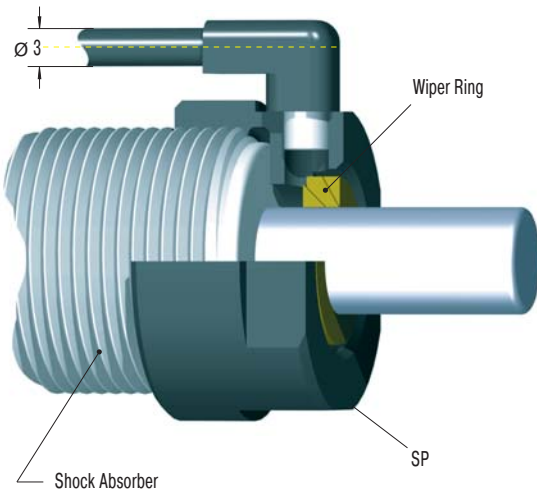


SP... Air Bleed Collar



Shock Absorber Type / Feed Control	Air Bleed Collar
SC ² 75M	SP12
MA150M	SP14
SC190M	SP14
MC150M	SP14
MC225M	SP20
MC600M	SP25
VC2515FT to VC2555FT Reduction of the stroke 6.4 mm	SP25

The air bleed collar SP may only be mounted on ACE shock absorber types as itemized in the above list. Screw the air bleed collar entirely onto the individual shock absorber and seal the thread with LOCTITE 270 (screw retention).

Connect compressed air with L-plug nipple connection (LCN-M3-PK-3) and pneumatic tube with 3 mm nominal size.

Recommended air pressure: 0.5 to 1 bar

Note! Do not switch off air supply whilst machine is operating!

The air pressure prevents contamination through cement, paper or wood dust into the chamber. Cooling agents, dirt, aggressive cutting oils or grease are kept away from the sealing system.

For technical questions please contact the ACE Technical Hotline:

+49-(0)2173-9226-80

Note! Due to the multitude of different lubricants and cooling agents, the operator must ensure the suitability of the air bleed collar for that application. The final suitability must be ascertained for each individual application.